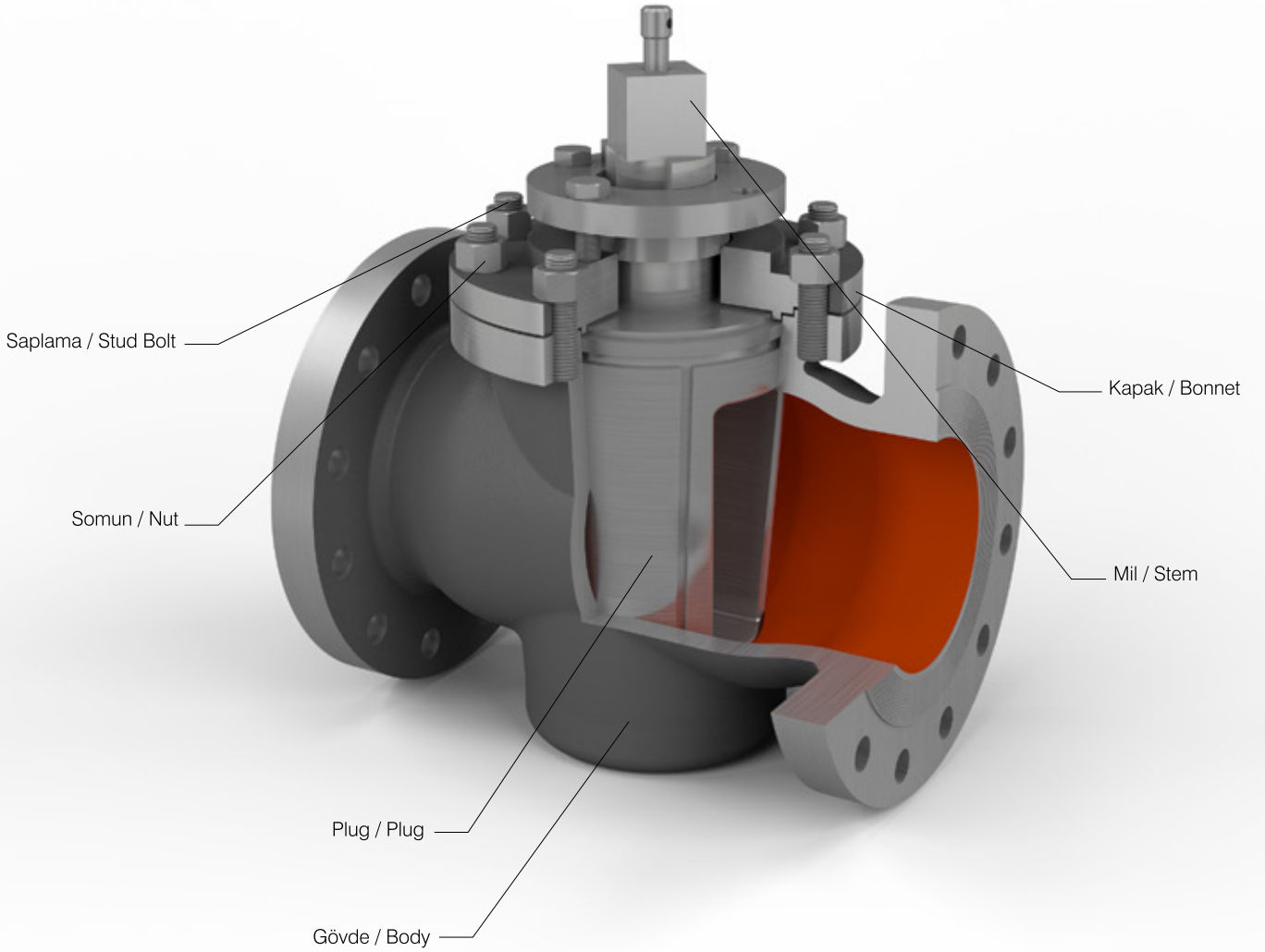




ASA 150-ASA 300 DÖKÜM ÇELİK YAĞLAMALI TİP PLUG VALFLER Cast Steel Lubricated Type Plug Valves Figure V 6010- V 6020



Design standard: API 6D&API 599&ASME B16.34
Face to face standard: ANSI B16.10
Flange dimensions are according to ANSI B16.5
Inspection and test standard: API 598&API 6D

