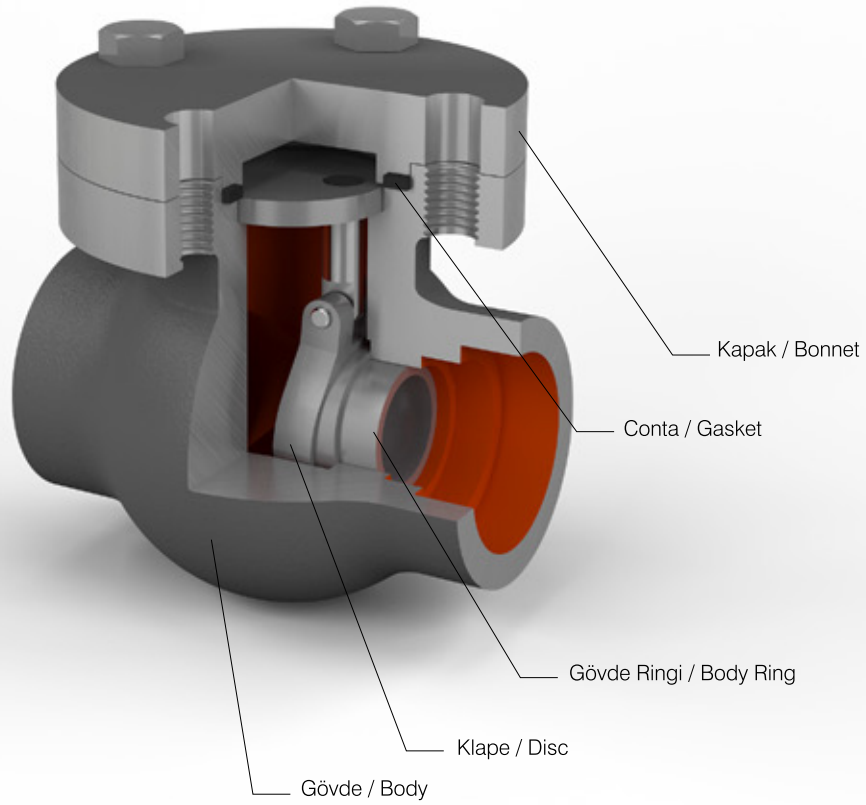




## ASA 800 DÖVME ÇELİK SWING CHECK VALFLER

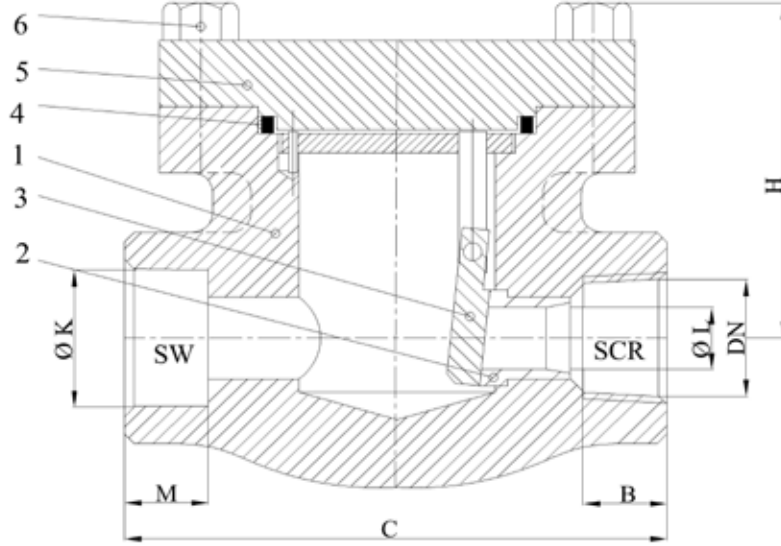
Forged Steel Swing Check Valves Figure V 4103



Design standard: API 602  
Screwed ends are according to ANSI B 2.1  
Socket weld ends are according to ANSI B 16.11  
Inspection and test standard: API 598&API 602

# ASA 800 DÖVME ÇELİK SWING CHECK VALFLER

## Forged Steel Swing Check Valves Figure V 4103



### MALZEME SPESİFİKASYONLARI / Material Specifications

PARÇA ADI / PART NAME		
1	GÖVDE Body	Forged Steel
1a	GÖVDE SİT YÜZEYİ Body Seat Face	Stainless Steel
2	GÖVDE RİNGİ Body Ring	Stainless Steel
3	KLAPE Disc	Stainless Steel
4	CONTA Gasket	Spiral Wound Gasket
5	KAPAK Bonnet	Forged Steel
6	KAPAK CIVATASI Bonnet Bolt	Cr Mo Steel
7	İSİM PLAKASI Name Plate	Aluminium

ASA 800 Figure V 2300	ÖLÇÜ / SIZE		Ø K	C	Ø L	H	B	M	App. W
	inch	mm	mm	mm	mm	mm	min	min	kg
	½	15	22	84	8	47	13,5	10	1,2
	¾	20	27,5	90,5	12,7	53	14	13	1,5
	1	25	34	114	17,5	69	17,5	13	2,5
	1 ¼	32	43	120,5	22,5	105	18	15	6,3
	1 ½	40	49	120,5	28,5	105	18,5	15	6,3
	2	50	61,3	130	35	131	19	16	9,1